



1.50 mm kalınlıkta standart üst tabla
Standard 15/10 mm top thickness



TECHNICAL SPECIFICATIONS

The stainless steel body ensures the device's longevity and durability. The rounded corners of the top plate provide easy cleaning options. Enhanced durability and easy cleaning are facilitated by the one-piece upper plate with press pressure. It has an ergonomic design that provides convenience to the user. An LED indicator is available to show that the device is functioning correctly. Four Ø22 diameter plates with a power of 2.6 kW each are used. Temperature control is done with a 6-level switch on the plates, allowing users to cook and keep warm. Rails are available for trays with a capacity of 2xGN 2/1. Oven temperature is controlled with a (50-300) °C thermostat. The special silicone seal on the oven door minimizes heat loss and provides energy savings. Homogeneous heat distribution is ensured with two high-efficiency 2.5 kW incoloy-coated heaters in the oven. Insulation is provided on the front surface of the hob to reduce surface temperatures and increase user comfort. The oven cavity is made of stainless steel. There is a Safety thermostat on each heat plate. This thermal heat plate cuts off electricity when it overheats to prevent damage to the heat plate. The service channel at the back of the device facilitates installation and protects connection parts such as hoses, pipes, and cables. Stainless steel legs adjustable for unit height are available. There is a chimney for heat dissipation.

GENERAL FEATURES

The front, back and side panels are made of 1 mm Scotch Brite stainless steel. The top table is 1.5 mm AISI 304 stainless steel. There are 4 plates with a diameter of Ø22 with a power of 2.6 kW. Temperature control is carried out with a 6-stage switch on the plates. The plates are cast iron and are hermetically mounted on the top table. It does not leave any gaps between the units with 90° angled side edges created by laser cutting. Thus, it does not allow dirt to collect between the units.

CONSTRUCTION FEATURES

Stainless steel construction suitable for heavy use conditions;

The upper table thickness is 1.5 mm made of AISI 304 stainless steel material.

Body sheets are made of 1 mm Scotch Brite stainless steel material.

It does not leave any gaps between the units with the 90° angled side edges created by laser cutting. Thus, it does not allow dirt to collect between the units.

SAFETY EQUIPMENT &

APPROVALS

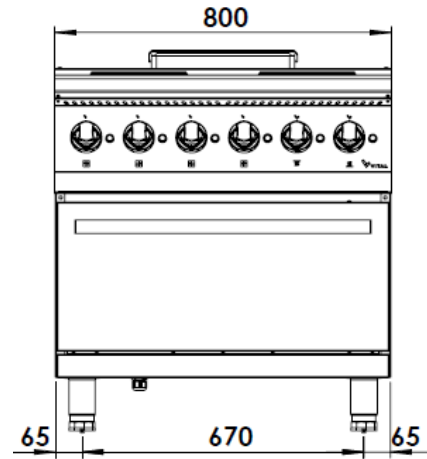
Safety thermostat is available on each heat plate. When this thermal heat plate overheats, it cuts off the electricity and prevents damage to the heat plate.

There is CE certification for all directives and regulations.

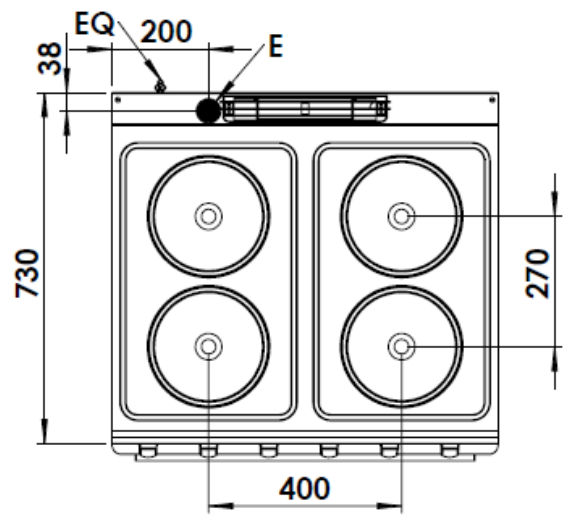
PRODUCT CODE	EKF7020
DIMENSIONS	800X730X850 mm
PACKAGE DIMENSIONS	820X800X1050 mm
WEIGHT	75 kg
PACKAGE WEIGHT	90 kg
FURNACE POWER UPPER ZONE STRENGTH TOTAL POWER	5 kW 10.4 kW 15.4 kW
ELECTRIC VOLTAGE	380-400 VAC 3N 50Hz
CABLE CROSS SECTION	5X4 mm ²

EI=ELECTRICAL CONNECTION

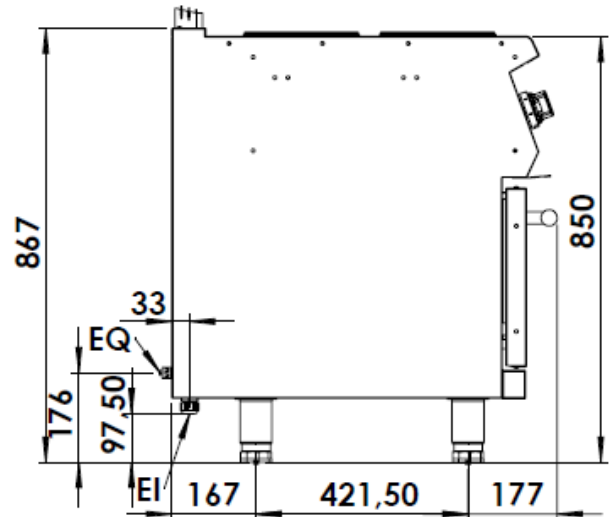
EQ=GROUND CONNECTION



FRONT



TOP



SIDE