



1.50 mm kalınlıkta standart üst tabla
Standard 15/10 mm top thickness



TECHNICAL SPECIFICATIONS

The stainless steel housing ensures that the device is long-lasting and durable. The top table with rounded corners allows for easy cleaning. Thanks to the press-pressed monolithic top table, durability is increased and easy cleaning is provided. There is an easy-to-clean, durable cast-iron cooking surface. There are burners with a power of 8 kW, which are used as small and large flames. High efficiency and low gas emission burners were used. Each burner has a safety device that cuts off the gas in case of a flame extinguishment. Thus, gas leakage is prevented in case of extinguishing the flame. There is also a thermocouple for flame control. It can be powered by natural gas or LPG. Conversion nozzles are standard on the device. It can be used as a stovetop or with a cabinet.

GENERAL FEATURES

The front, back and side panels are made of 1 mm Scotch Brite stainless steel. The top table is 1.5 mm AISI 304 stainless steel. Cast iron cooking surface. There are burners with a power of 8 kW that can be used as a small and large flame. There is a gas safety device and thermocouple. It does not leave any gaps between the units with the 90° angled side edges created by laser cutting. Thus, it does not allow dirt to collect between the units.

CONSTRUCTION FEATURES

Stainless steel construction suitable for heavy use conditions;

The upper table thickness is 1.5 mm made of AISI 304 stainless steel material. Body sheets are made of 1 mm Scotch Brite stainless steel material.

SAFETY EQUIPMENT &

APPROVALS

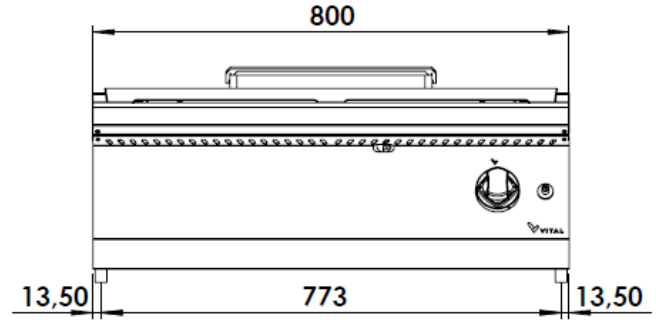
Each burner has a safety device that cuts off the gas in case of a flame extinguishment.

There are CE approvals for all directives and regulations.

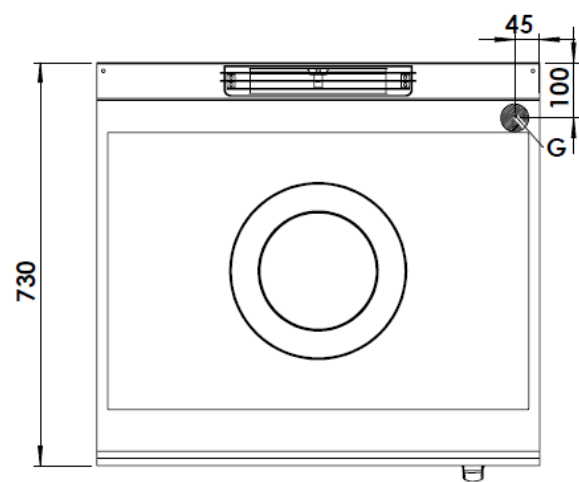
PRODUCT CODE	GST7020
DIMENSIONS	800X730X280 mm
PACKAGE DIMENSIONS	820X800X450 mm
WEIGHT	56 kg
PACKAGE WEIGHT	65 kg
TOTAL POWER	8 kW
GAS INLET	R 1/2"
INJECTOR	NG (G20) 2.00 mm
	LPG (G30) 1.20 mm
GAS CONSUMPTION	0.847 max. / 0.444 min. G20(m ³ /h)
	0.631 max. / 0.331 min. G30 (kg/h)

G=GAS INLET

FRONT



TOP



SIDE

